

### FICHE TECHNIQUE

Ampoule du projecteur :

Pile :

Chargeur inclus à CA :

Fusible de la fiche de courant continu :

12 volts, série H3, ampoule à filament double de 55 W et 35 W au plomb scellée, sans entretien, de 12 volts, 3 ampères-heures homologué UL, classe 2, courant continu de 12 volts (300 mA) 2 A, 250 V

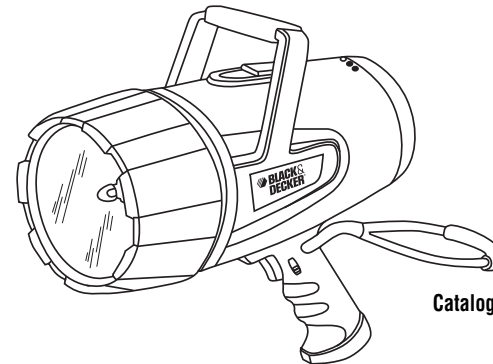
Imported by / Importé par  
Black & Decker Canada Inc.  
100 Central Ave.  
Brockville (Ontario) K6V 5W6

Voir la rubrique "Outils  
électriques"  
des Pages Jaunes  
pour le service et les ventes.



# BLACK & DECKER®

## V-2 MILLION POWER SERIES™ SPOTLIGHT INSTRUCTION MANUAL



Catalog Number SL302B

**Thank you for choosing Black & Decker!**  
Go to [www.BlackandDecker.com/NewOwner](http://www.BlackandDecker.com/NewOwner)  
to register your new product.

### PLEASE READ BEFORE RETURNING THIS PRODUCT FOR ANY REASON:

If you have a question or experience a problem with your Black & Decker purchase, go to  
[HTTP://WWW.BLACKANDDECKER.COM/INSTANTANSWERS](http://WWW.BLACKANDDECKER.COM/INSTANTANSWERS)  
for instant answers 24 hours a day.

If you can't find the answer or do not have access to the internet,  
call 1-800-544-6986 from 8 a.m. to 5 p.m. EST Mon. -- Fri. to speak with an agent.  
Please have the catalog number available when you call.

### SAVE THIS INSTRUCTION MANUAL FOR FUTURE REFERENCE.

VEA EL ESPAÑOL EN LA CONTRAPORTADA.

INSTRUCTIVO DE OPERACIÓN, CENTROS DE SERVICIO Y PÓLIZA DE GARANTÍA.  
ADVERTENCIA: LÉASE ESTE INSTRUCTIVO ANTES DE USAR EL PRODUCTO.

Cat. # SL302B  
Nov. 2009

Form # 90558474  
Copyright © 2009 Black & Decker

Printed in China

## SAFETY GUIDELINES / DEFINITIONS

- ⚠ **DANGER:** Indicates an imminently hazardous situation which, if not avoided, will result in death or serious injury.
- ⚠ **WARNING:** Indicates a potentially hazardous situation which, if not avoided, could result in death or serious injury.
- ⚠ **CAUTION:** Indicates a potentially hazardous situation which, if not avoided, may result in minor or moderate injury.
- CAUTION:** Used without the safety alert symbol indicates potentially hazardous situation which, if not avoided, may result in property damage.

**RISK OF UNSAFE OPERATION.** When using tools or equipment, basic safety precautions should always be followed to reduce the risk of personal injury. Improper operation, maintenance or modification of tools or equipment could result in serious injury and property damage. There are certain applications for which tools and equipment are designed. Black & Decker strongly recommends that this product NOT be modified and/or used for any application other than for which it was designed. Read and understand all warnings and operating instructions before using any tool or equipment.

## IMPORTANT SAFETY INSTRUCTIONS

### ⚠ GENERAL SAFETY WARNINGS AND INSTRUCTIONS FOR ALL APPLIANCES

#### READ ALL INSTRUCTIONS

- ⚠ **WARNING:** Read all instructions before operating product. Failure to follow all instructions listed below may result in electric shock, fire and/or serious injury.
- **AVOID DANGEROUS ENVIRONMENTS** Don't use appliances in damp or wet locations. Don't use appliances in the rain.
  - **KEEP CHILDREN AWAY.** All visitors should be kept at a distance from work area.
  - **STORE IDLE APPLIANCES INDOORS.** When not in use, appliances should be stored indoors in dry, and high or locked-up place – out of reach of children.
  - **DON'T FORCE APPLIANCE.** It will do the job better and with less likelihood of a risk of injury at the rate for which it was designed.
  - **USE RIGHT APPLIANCE.** Do not use the appliance for any job except that for which it is intended.
  - **DRESS PROPERLY.** Do not wear loose clothing or jewelry. They can be caught in moving parts. Rubber gloves and substantial, non-skid footwear are recommended when working outdoors. Wear protective hair covering to contain long hair.
  - **USE SAFETY GLASSES AND OTHER SAFETY EQUIPMENT.** Use safety goggles or safety glasses with side shields, complying with applicable safety standards and, when needed, a face shield. Also use face or dust mask if operation is dusty. This applies to all persons in the work area. Also use a hard hat, hearing protection, gloves, safety shoes and dust collection systems when specified or required. Safety glasses or the like are available at extra cost at your local dealer or Black & Decker Service Center.
  - **DON'T ABUSE CORD.** Never carry appliance by cord or yank it to disconnect from receptacle. Keep cord from heat, oil, and sharp edges.
  - **DON'T OVERREACH.** Keep proper footing and balance at all times.
  - **DISCONNECT APPLIANCE.** The AC Charger and DC Charging Adapter should be maintained in a readily operable condition. To avoid damage to the unit or Adapter, disconnect the unit from any power supply when not in use, before cleaning, during lightning storms, and changing accessories or when it will be unused for long periods of time. To disconnect the unit from the power supply, the AC Charger must be completely disconnected from any AC extension cord and the DC Charging Adapter.
  - **AVOID UNINTENTIONAL STARTING.** Don't carry plugged-in appliance with finger on switch. Be sure switch is off when plugging in.
  - **GROUND FAULT CIRCUIT INTERRUPTER (GFCI)** protection should be provided on the circuits or outlets to be used. Receptacles are available having built in GFCI protection and may be used for this measure of safety.
  - **USE OF ACCESSORIES AND ATTACHMENTS.** The use of any accessory or attachment not recommended for use with this appliance could be hazardous. Note: Refer to the accessory section of this manual for further details.
  - **STAY ALERT.** Watch what you are doing. Use common sense. Do not operate tool when you are tired.
  - **CHECK DAMAGED PARTS.** Before further use of the tool, a guard or other part that is damaged should be carefully checked to determine that it will operate properly and perform its intended function. Check for alignment of moving parts, binding of moving parts, breakage of parts, mounting, and any other conditions that may affect its operation. A guard or other part that is damaged should be properly repaired or replaced by an authorized service center unless otherwise indicated elsewhere in this instruction manual. Have defective switches replaced by authorized service center. Do not use tool if switch does not turn it ON and OFF.

- **DO NOT OPERATE** portable electric tools near flammable liquids or in gaseous or explosive atmospheres. Motors in these tools normally spark, and the sparks might ignite fumes.
- **OUTDOOR USE EXTENSION CORDS.** When tool is used outdoors, use only extension cords intended for use outdoors and so marked.
- **EXTENSION CORDS.** Make sure your extension cord is in good condition. When using an extension cord, be sure to use one heavy enough to carry the current your product will draw. An undersized cord will cause a drop in line voltage resulting in loss of power and overheating. The following table shows the correct size to use depending on cord length and nameplate ampere rating. If in doubt, use the next heavier gauge. The smaller the gauge number, the heavier the cord.

Volts	Minimum Gauge for Cord Sets				
	Total Length of Cord in Feet				
120V	0-25 (0-7.6m)	26-50 (7.6-15.2m)	51-100 (15.2-30.4m)	101-150 (30.4-45.7m)	
	240V	0-50 (0-15.2m)	51-100 (15.2-30.4m)	101-200 (30.4-60.9m)	201-300 (60.9-91.4m)
<b>Ampere Rating</b>		American Wire Gauge			
More Than	Not more Than				
0 -	6	18	16	16	14
6 -	10	18	16	14	12
10 -	12	16	16	14	12
12 -	16	14	12	Not Recommended	

### ⚠ WARNING: TO REDUCE THE RISK OF ELECTRIC SHOCK:

- Do not plug in a power supply without the bulb lens and cover in place.
- Do not put spotlight in water or other liquid. Do not place or store spotlight where it can fall or be pulled into a tub or sink.
- Keep the lens in place.
- Do not operate this unit without the lens.

### ⚠ WARNING: FIRE HAZARD: Never contact combustible material to the lens.

### ⚠ WARNING: BURN HAZARD: Hot lens. May cause property damage or fire. Do not touch or obstruct lens.

- All halogen lights give off heat:
  - Do not touch lens while operating.
  - Keep combustibles away from spotlight lens. Extreme heat can cause fires.
  - Never place the light face-down on any surface when lit and following recent use.
  - Do not touch the lens or enclosure as it becomes hot during operation and remains hot for several minutes after the spotlight is switched off.
  - Allow the spotlight to fully cool down before storage or charging.
  - Do not leave the spotlight unattended. Keep children and animals away from the work area.

### ⚠ CAUTION: TO REDUCE THE RISK OF INJURY OR PROPERTY DAMAGE:

- Use only on a flat, stable surface. When a cart is used, use caution when moving the spotlight/cart combination to avoid injury from tip-over. Never place the light face-down on any surface.
- Never look directly into the light or shine the light into another person's eyes.
- Keep sharp objects away from lens — it is glass and can break.
- The lens of the light blocks harmful UV radiation. Do not use if the lens becomes cracked or broken.
- Do not immerse spotlight in water.
- Do not drop or throw spotlight. It contains glass and a sealed lead acid battery.
- Use in a dry location only.
- Do not open body casing. There are no user-serviceable parts inside.



## CHARGING SAFETY WARNINGS AND GUIDELINES

Before using battery charger, read all instructions and cautionary markings on battery charger and unit.

⚠ **CAUTION:** To reduce the risk of injury, charge only Black & Decker Batteries. Other types of batteries may burst causing personal injury and damage.

- NEVER ATTEMPT TO USE THE AC CHARGER AND DC CHARGING PORT SIMULTANEOUSLY.
- Plug in the charging adapter at the spotlight first, then plug into the charging source.

- **Note:** To ensure maximum battery life do not overcharge. Only charge until the green LED charge status indicator lights.
- Do not expose charger to rain or snow. Use in a dry location only.
- Do not crush, cut, pull or expose charger cords to extreme heat.
- Position charger cords so they do not become entangled or become a safety hazard. Keep charger cords away from sharp edges.
- To reduce risk of damage to plug and cord, pull by plug rather than cord when disconnecting unit from the charger.
- Use of improper extension cord could result in a risk of fire, electric shock or electrocution.
- Use only the supplied chargers when charging this spotlight. The use of any other charger could damage the spotlight or create a hazardous condition.
- Use only one charger when charging.
- Do not attempt to charge the unit if the charger plug is damaged— return the unit to manufacturer for repair.
- Do not attempt to open the charger. There are no customer serviceable parts inside. Return to manufacturer for repair.
- All ON/OFF switches should be in the OFF position when the unit is charging or not in use. Make sure all switches are in the OFF position before connection to a power source or load.
- After charging/recharging, disconnect charger or extension cord and wait 5 minutes before use.
- This unit contains a non-spillable battery. To avoid possible damage that may shorten the unit's working life, protect it from direct sunlight, direct heat and/or moisture.
- **FIRST AID – SKIN:** If battery acid comes in contact with skin, rinse immediately with water, then wash thoroughly with soap and water. If redness, pain, or irritation occurs, seek immediate medical attention.
- **EYES:** If battery acid comes in contact with eyes, flush eyes immediately, for a minimum of 15 minutes and seek immediate medical attention.

**IMPORTANT:**

- This unit is delivered in a partially charged state. Fully charge unit for 18-24 hours using the AC charging method before using for the first time. Green indicator will light when fully charged.
- Read And Understand This Instruction Manual Before Using This Unit.

# SAVE THESE INSTRUCTIONS

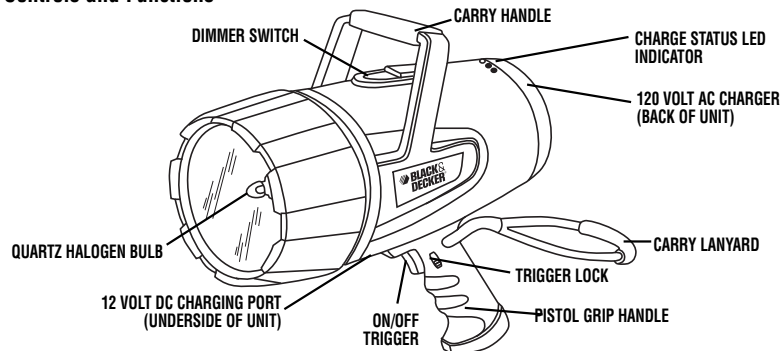
**INTRODUCTION**

Thank you for choosing the **Black & Decker® V-2 Million Power Series™ Spotlight**. Please read this guide carefully before use to ensure optimum performance and to avoid damage to the unit.

**FEATURES**

- Powerful, focused quartz halogen beam with Dimmer Switch for high and low settings
- Safety cap protects 120 volt AC charger
- Comfortable pistol grip, handle and carry lanyard
- Charge Status LED Indicator
- UL listed, built-in 120 volt AC charger that works with a standard household extension cord (not included)
- 12 volt DC charging adapter included
- Rechargeable, non-spillable, sealed lead acid battery

**Controls and Functions**



**CHARGING/RECHARGING THE SPOTLIGHT**

This unit is shipped in a partially charged state. Charge unit BEFORE first use using the 120 Volt AC Charger for 18-24 hours or until the green Battery Status LED Indicator lights. Charge after each use until green Charge Status LED Indicator lights.

**Charging/Recharging Using the 120 Volt AC Charger and a Standard Household Extension Cord (not included)**

Plug a standard North American 120 volt AC extension cord (not included) into the 120 Volt AC Charger on the back of the unit.

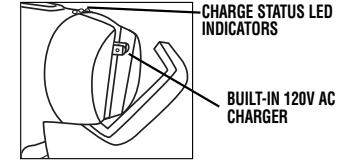
Make sure the Spotlight is OFF (the Trigger Lock is in the OFF position and the Trigger is not depressed).

Charge for 18-24 hours or until the green Battery Status LED Indicator lights.

**Notes:** To extend battery life, disconnect the charger after 48 hours.

All batteries lose charge with time, especially when they are warm. Recharge the unit every two months for 18-24 hours when not in frequent use.

If the unit is not going to be used for extended periods, disconnect the charger and store in a cool, dry place.

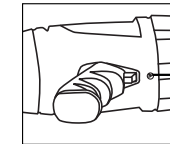


**Charging/Recharging Using the 12 Volt DC Charging Adapter**

Plug the barrel tip of the supplied 12 Volt DC Charging Adapter into the 12 Volt DC Charging Port (shown in the illustration below).



12 VOLT DC CHARGING ADAPTER



12 VOLT DC CHARGING PORT (UNDERSIDE OF UNIT)

Insert the 12 volt DC plug end into the accessory outlet of your vehicle or other 12 volt DC power source.

Make sure the Spotlight is OFF (the Trigger Lock is in the OFF position and the Trigger is not depressed).

Charge until the green Charge Status LED Indicator lights.

**Notes:** When using a vehicle's 12 volt DC accessory outlet as a charging source, be aware that some vehicles require you to turn on the ignition to power the accessory outlet.

To avoid deeply discharging your vehicle battery we recommend to have the vehicle running while recharging the light with the DC recharge adapter.

**WARNING:** NEVER ATTEMPT TO USE THE AC CHARGER AND DC CHARGING PORT SIMULTANEOUSLY.

**OPERATING INSTRUCTIONS**

The Trigger Switch is located on the front of the pistol-grip handle of the spotlight (refer to the "Controls and Functions" illustration).

- Turn on the Spotlight by squeezing the ON/OFF Trigger.
- Turn off the Spotlight by releasing the ON/OFF Trigger.

To lock the Trigger in the ON position for continuous operation, squeeze the ON/OFF Trigger and slide the Trigger Lock Button located on the side on the handle DOWN (refer to the "Controls and Functions" illustration). The Spotlight will stay ON until you slide the Trigger Lock Button back UP.

**Dimmer Switch**

The Dimmer Switch is located on the top of the Spotlight (refer to the "Controls and Functions" illustration). Sliding the switch forward (toward the Spotlight bulb) sets the Spotlight on High Beam; sliding the switch backward sets the Spotlight on Low Beam.

**Using the Carry Handle as a Stand For Hands-Free Operation**

Invert the unit to use the Carry Handle as a stand, and set it upon a flat, stable surface for hands-free operation.

**Using the Built-In Carry Lanyard**

The Carry Lanyard may be used to store or carry the Spotlight; and also allows you to position the Spotlight for convenient, hands-free operation.

**CAUTION: TO REDUCE THE RISK OF PRODUCT DAMAGE:**

- Only use the Carry Lanyard for carrying or hanging the Spotlight. The Carry Lanyard is not intended to support additional weight. Do not attach or hang anything additional to the light or risk of breakage may occur.
- When light is hung by the Carry Lanyard, do not shake the light or object that it is hanging from. Do not hang the light from electrical wires or anything that it is not secure.

**CARE AND MAINTENANCE**

All batteries lose charge with time, especially when they are warm. Recharge the unit every two months when not in frequent use, preferably using the 120 volt AC method.

Never submerge the unit in water. If the unit gets dirty, gently clean the outer surfaces of the spotlight unit with a soft cloth moistened with a mild solution of water and detergent.

**Battery Replacement/Disposal**

**BATTERY REPLACEMENT**

The battery should last the service life of the unit. Contact Technical Support toll-free at 1-800-544-6986 for any information you may need.

**BATTERY DISPOSAL**

Contains a maintenance-free, sealed, non-spillable, lead acid battery, which must be disposed of properly. Recycling is required — contact your local authority for information. Failure to comply with local, state and federal regulations can result in fines or imprisonment. For more information on recycling this battery, call toll-free 1-800-544-6986.



**⚠ WARNINGS:**

- Do not dispose of the battery in fire as this may result in an explosion.
- Before disposing of the battery, protect exposed terminals with heavy-duty electrical tape to prevent shorting (shorting can result in injury or fire).
- Do not expose battery to fire or intense heat as it may explode.
- For more information on recycling this battery, call toll-free 1-800-544-6986.

**12 Volt DC Charging Adapter Plug Fuse Replacement**

The fuse in the plug end of the 12 Volt DC Charging Adapter protects the adapter's charging circuit. If the 120 Volt AC Charger operates, but the DC charging adapter does not, then this fuse may be opened (blown).

To replace the fuse:

1. Unscrew the end cap of the DC plug (counterclockwise).
2. Remove spring center contact and fuse.
3. Check fuse with a continuity checker.
4. If blown, locate a replacement 2 amp/250 volt fuse.
5. Replace the fuse, spring, contact and end cap.
6. Screw end cap clockwise until it is finger tight – DO NOT OVER-TIGHTEN.
7. Test for proper operation of the 12 Volt DC Charging Adapter.

**TROUBLESHOOTING**

Problem	Solution
Spotlight will not charge (green Charge Status LED Indicator does not light)	<ol style="list-style-type: none"> <li>1. Check connection to the 120 Volt AC Charger (or DC Charging Port).</li> <li>2. Check connection to AC (or DC) power source.</li> <li>3. Confirm there is a functioning AC (or DC) current.</li> <li>4. Make sure the Trigger is not pressed (pressing the Trigger when one of the charging adapters is plugged in interrupts the charging process).</li> <li>5. Make sure the Trigger Lock is not engaged. It is possible to have left the Trigger Lock ON when the battery discharged. The Spotlight will not charge until the Trigger is unlocked.</li> <li>6. If the Spotlight will not charge after checking all of the above, contact Technical Support toll-free at 1-800-544-6986.</li> </ol>

Problem	Solution
Spotlight will not operate	<ol style="list-style-type: none"> <li>1. If you suspect the bulb is blown, check the filament. If the filament is coiled and unbroken, the bulb is not blown. If bulb is blown, call 1-800-544-6986 to locate the nearest authorized service center. The bulb is NOT user-replaceable.</li> <li>2. The light may be charging/recharging using the 12 volt DC charging adapter. The unit will not operate while charging/recharging via the DC charger. Unplug from the 12 volt DC power source.</li> <li>3. The battery may be completely discharged. Charge the unit following the directions in this Instruction Manual.</li> <li>4. If the Spotlight does not operate after recharging as directed, contact Technical Support toll-free at 1-800-544-6986.</li> </ol>
Cannot depress trigger	Slide Trigger Lock Button on side of handle UP to unlock the Trigger.

**ACCESSORIES**

Recommended accessories for use with your tool are available from your local dealer or authorized service center. If you need assistance regarding accessories, please call: **1-800-544-6986**.

⚠ **WARNING:** The use of any accessory not recommended for use with this spotlight could be hazardous and will void manufacturer's warranty.

**SERVICE INFORMATION**

All Black & Decker Service Centers are staffed with trained personnel to provide customers with efficient and reliable power tool service. Whether you need technical advice, repair, or genuine factory replacement parts, contact the Black & Decker location nearest you. To find your local service location, refer to the yellow page directory under "Tools-Electric" or call: **1-800-544-6986** or visit [www.blackanddecker.com](http://www.blackanddecker.com).

⚠ **CAUTION: TO REDUCE THE RISK OF INJURY OR PROPERTY DAMAGE:** Do not open body casing. There are no user-serviceable parts inside.

**FULL ONE YEAR HOME USE WARRANTY**

Black & Decker (U.S.) Inc. warrants this product for one year against any defects in material or workmanship. The defective product will be replaced or repaired at no charge in either of two ways.

The first, which will result in exchanges only, is to return the product to the retailer from whom it was purchased (provided that the store is a participating retailer). Returns should be made within the time period of the retailer's policy for exchanges (usually 30 to 90 days after the sale). Proof of purchase may be required. Please check with the retailer for their specific return policy regarding returns that are beyond the time set for exchanges.

The second option is to take or send the product (prepaid) to a Black & Decker owned or authorized Service Center for repair or replacement at our option. Proof of purchase may be required. Black & Decker owned and authorized Service Centers are listed under "Tools-Electric" in the yellow pages of the phone directory and on our website [www.blackanddecker.com](http://www.blackanddecker.com).

This warranty does not apply to accessories. This warranty gives you specific legal rights and you may have other rights which vary from state to state or province to province. Should you have any questions, contact the manager of your nearest Black & Decker Service Center. This product is not intended for commercial use.

**FREE WARNING LABEL REPLACEMENT:** If your warning labels become illegible or are missing, call 1-800-544-6986 for a free replacement.

**SPECIFICATIONS**

Spotlight Bulb:	12 volt, H3 series, dual-filament 55W/35W bulb
Battery:	Maintenance-free, sealed lead acid, 12 volt, 3 amp hour
Embedded AC Charger:	UL Listed Class 2, 12 volt DC (300 mA)
DC Plug Fuse:	2 A/250 V

Imported by  
 Black & Decker (U.S.)  
 Inc.,  
 701 E. Joppa Rd.  
 Towson, MD 21286 U.S.A.

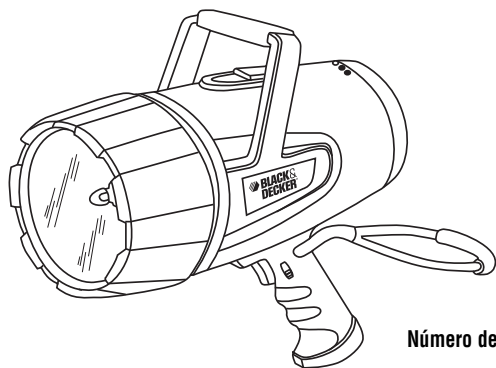


See 'Tools-Electric'  
 - Yellow Pages -  
 for Service &  
 Sales





## FARO BUSCAHUELLA V-2 MILLION POWER SERIES™ MANUAL DE INSTRUCCIONES



Número de catálogo SL302B

**Gracias por elegir Black & Decker!**  
Visite [www.BlackandDecker.com/NewOwner](http://www.BlackandDecker.com/NewOwner)  
para registrar su nuevo producto.

### LEA EL MANUAL ANTES DE DEVOLVER ESTE PRODUCTO POR CUALQUIER MOTIVO:

Si tiene una consulta o algún inconveniente con su producto Black & Decker, visite  
[HTTP://WWW.BLACKANDDECKER.COM/INSTANTANSWERS](http://www.blackanddecker.com/instantanswers)  
para obtener respuestas instantáneas las 24 horas del día.

Si no encuentra la respuesta o no tiene acceso a Internet, llame al 1-800-544-6986 de  
lunes a viernes de 8 a.m. a 5 p.m. hora del Este para hablar con un agente.  
Cuando llame, tenga a mano el número de catálogo.

**CONSERVE ESTE MANUAL PARA FUTURAS CONSULTAS.**

N.º de catálogo SL302B  
Nov. 2009

N.º de formulario 90558474  
Copyright © 2009 Black & Decker Impreso en China

## NORMAS DE SEGURIDAD/DEFINICIONES

- ⚠ **PELIGRO:** Indica una situación de peligro inminente que, si no se evita, provocará la muerte o lesiones graves.
  - ⚠ **ADVERTENCIA:** Indica una situación de peligro potencial que, si no se evita, podría provocar la muerte o lesiones graves.
  - ⚠ **PRECAUCIÓN:** Indica una situación de peligro potencial que, si no se evita, puede provocar lesiones leves o moderadas.
- PRECAUCIÓN:** Usado sin el símbolo de alerta de seguridad indica una situación de peligro potencial que, si no se evita, puede provocar daños en la propiedad.

**RIESGO DE OPERACIÓN INSEGURA.** Cuando se usan herramientas o equipos, siempre se deben respetar las precauciones de seguridad para reducir el riesgo de lesiones personales. La operación, la modificación o el mantenimiento incorrectos de herramientas o equipos pueden provocar lesiones graves y daños a la propiedad. Las herramientas y los equipos están diseñados para determinados usos. Black & Decker recomienda enfáticamente que NO se modifique este producto y que NO se use para ningún otro uso que aquél para el que fue diseñado. Lea y comprenda todas las instrucciones operativas y las advertencias antes de usar cualquier herramienta o equipo.

## INSTRUCCIONES IMPORTANTES SOBRE SEGURIDAD

### ⚠ INSTRUCCIONES GENERALES Y ADVERTENCIAS DE SEGURIDAD PARA TODOS LOS APARATOS LEA TODAS LAS INSTRUCCIONES

- ⚠ **ADVERTENCIA:** Lea todas las instrucciones antes de operar el producto. El incumplimiento de todas las instrucciones enumeradas a continuación puede provocar una descarga eléctrica, un incendio o lesiones graves.
- **EVITE LAS CONDICIONES AMBIENTALES PELIGROSAS.** NO use aparatos en zonas húmedas o mojadas. No use aparatos bajo la lluvia.
- **MANTENGA A LOS NIÑOS ALEJADOS.** Los visitantes deben mantenerse a cierta distancia del área de trabajo.
- **GUARDE LOS APARATOS QUE NO USE EN EL INTERIOR.** Cuando no los use, los aparatos deben guardarse bajo techo, en un lugar seco, alto o bajo llave, lejos del alcance de los niños.
- **NO FUERCE EL APARATO.** Funcionará mejor y con menos probabilidades de daños si se opera a la velocidad para la que fue diseñada.
- **USE EL APARATO ADECUADO.** Nunca use el aparato para otra tarea que no sea aquella para la que fue creado.
- **USE LA VESTIMENTA ADECUADA.** No use ropas holgadas o joyas. Pueden atascarse en las piezas en movimiento. Se recomienda usar guantes de goma y calzado antidesisizante considerable al trabajar al aire libre. Recójase y cubra el cabello largo.
- **USE ANTEOJOS DE SEGURIDAD Y CUALQUIER OTRO EQUIPO DE SEGURIDAD.** Use anteojos protectores o lentes de seguridad con protección lateral que cumplan con las normas de seguridad aplicables y, de ser necesario, un protector facial. Use también máscaras faciales o para polvo si la operación produce polvillo. Esto se aplica a todas las personas que se encuentren en el área de trabajo. Use también un casco, protección auditiva, guantes, calzado de seguridad y sistemas de recolección de polvo cuando así se especifique o requiera. Puede conseguir anteojos de seguridad o similares a un costo adicional en su distribuidor local o Centro de mantenimiento de Black & Decker más cercano.
- **NO TIRE DEL CABLE.** Nunca transporte el aparato por el cable ni lo jale para desconectarlo del tomacorriente. Mantenga el cable alejado del calor, el aceite y los bordes afilados.
- **NO SE ÉSTIRE.** Conserve el equilibrio y párese adecuadamente en todo momento.
- **DESCONECTE EL APARATO.** El cargador de CA y el adaptador de carga de CC deben mantenerse en una condición de funcionamiento sin esfuerzo. Para evitar que la unidad o el adaptador se dañen, desconecte la unidad del suministro de energía cuando no la use, antes de limpiarla, durante las tormentas eléctricas y al cambiar los accesorios, o cuando no la usará durante un período prolongado. Para desconectar la unidad del suministro de energía, el cargador de CA no debe estar conectado a ningún cable prolongador de CA ni al adaptador de carga de CC.
- **EVITE EL ENCENDIDO POR ACCIDENTE.** No transporte el aparato enchufado con el dedo en el interruptor. Asegúrese de que el interruptor esté apagado cuando lo enchufe.



- La protección del **INTERRUPTOR DE CORTE POR FALLA A TIERRA (GFCI)** debe aplicarse a los circuitos o los tomacorrientes que se usarán. Hay tomacorrientes con protección GFCI incorporada que pueden usarse para tomar esta medida de seguridad.
- **USO DE SUPLEMENTOS Y ACCESORIOS.** El uso de accesorios o dispositivos no recomendados para este aparato puede resultar peligroso. Nota: Consulte la sección "Accesorios" de este manual para obtener detalles adicionales.
- **MANTENGASE ALERTA.** Fíjese en lo que está haciendo. Use el sentido común. No opere la herramienta si está cansado.
- **VERIFIQUE QUE NO HAYA PIEZAS DAÑADAS.** Antes de volver a usar la herramienta, se debe controlar cualquier protección u otra pieza que esté averiada para determinar si funcionará correctamente y realizará la función para la que fue diseñada. Verifique la alineación y la sujeción de las piezas móviles, la rotura de piezas, el montaje y cualquier otra condición que pueda afectar su operación. Cualquier protección u otra pieza que esté dañada debe ser reparada correctamente o reemplazada por un centro de mantenimiento autorizado, a menos que este manual de instrucciones indique otra cosa. Reemplace los interruptores defectuosos en un centro de mantenimiento autorizado. No use la herramienta si no puede ENCENDERLA o APAGARLA con el interruptor.
- **NO OPERE** herramientas eléctricas portátiles cerca de líquidos inflamables o en atmósferas gaseosas o explosivas. Los motores de estas herramientas normalmente chispean, y las chispas pueden encender los vapores.
- **EN ESPACIOS ABIERTOS, USE CABLES PROLONGADORES.** Cuando opere la herramienta al aire libre, use solamente cables prolongadores diseñados para su uso al aire libre o marcados como tales.
- **CABLES PROLONGADORES.** Asegúrese de que el cable prolongador esté en buenas condiciones. Cuando use un cable prolongador, cerciórese de que tenga la capacidad para conducir la corriente que su producto exige. Un cable de menor capacidad provocará una disminución en el voltaje de la línea, lo cual producirá una pérdida de potencia y sobrecalentamiento. La siguiente tabla muestra la medida correcta que debe usar según la longitud del cable y la capacidad nominal en amperios indicada en la placa. En caso de duda, use el calibre inmediatamente superior. Cuanto menor es el número de calibre, más grueso es el cable.

Calibre mínimo para los juegos de cables				
Voltios	Longitud total del cable en pies			
	0-25 (0-7,6m)	26-50 (7,6-15,2m)	51-100 (15,2-30,4m)	101-150 (30,4-45,7m)
120V				
240V	0-50 (0-15,2m)	51-100 (15,2-30,4m)	101-200 (30,4-60,9m)	201-300 (60,9-91,4m)
Capacidad nominal en amperios				
Más que	No más que	Medida de conductor estadounidense		
0 -	6	18	16	16
6 -	10	18	16	14
10 -	12	16	16	14
12 -	16	14	12	No recomendado

- ⚠ **ADVERTENCIA: PARA REDUCIR EL RIESGO DE DESCARGA ELÉCTRICA:**
  - No enchufe en un suministro de energía sin la lente y la cubierta de la bombilla.
  - No sumerja el faro buscahuella en agua ni en ningún otro líquido. No coloque ni almacene el faro buscahuella en un lugar del que se pueda caer, especialmente una tina o un fregadero.
  - Mantenga la lente en su lugar.
  - No opere esta unidad sin la lente.
- ⚠ **ADVERTENCIA: RIESGO DE INCENDIO:** Nunca permita el contacto de la lente con materiales combustibles.
- ⚠ **ADVERTENCIA: PELIGRO DE QUEMADURA;** la lente caliente puede provocar daños a la propiedad o un incendio. no toque ni bloquee la lente.
  - Todas las luces halógenas generan calor:
    - No toque la lente mientras está en funcionamiento.
    - Mantenga los combustibles lejos de la lente del faro buscahuella. El calor extremo puede provocar incendios.
    - Nunca coloque la luz hacia abajo sobre cualquier superficie cuando esté encendida ni poco después de usarla.
    - No toque la lente ni el armazón, ya que se calientan durante la operación y permanecen calientes durante varios minutos después de haber apagado el faro buscahuella.
    - Espere que el faro buscahuella se enfríe antes de guardarlo o cargarlo.
    - No deje el faro buscahuella sin supervisión. Mantenga a los niños y los animales alejados del área de trabajo.
- ⚠ **PRECAUCIÓN: PARA REDUCIR EL RIESGO DE LESIONES O DAÑO A LA PROPIEDAD:**
  - Use sólo una superficie plana y estable. Cuando use un carro, tenga cuidado al mover el conjunto carro/faro buscahuella para evitar lesionarse si éste se volcara. Nunca coloque la luz hacia abajo sobre cualquier superficie.
  - Nunca mire directamente la luz ni alumbre en dirección a los ojos de otra persona
  - Mantenga los objetos filosos alejados de la lente, ya que es de vidrio y se puede romper.
  - La lente de la luz bloquea la radiación ultravioleta nociva. No lo utilice si la lente está rajada o dañada.



- No sumerja el faro buscahuella en agua.
- No arroje ni tire el faro buscahuella. Contiene vidrio y una batería de plomo ácido sellada.
- Sólo use en lugares secos.
- No abra la cubierta. No incluye elementos a los que el usuario pueda hacerles mantenimiento.

## NORMAS Y ADVERTENCIAS DE SEGURIDAD AL CARGAR LA UNIDAD

Antes de usar el cargador de la batería, lea todas las instrucciones y las indicaciones de precaución en el cargador de la batería y en la unidad.

- ⚠ **PRECAUCIÓN:** para reducir el riesgo de daños personales, cargue sólo baterías Black & Decker. Otros tipos de baterías pueden estallar y provocar daños personales y materiales.
- **NUNCA INTENTE USAR EL CARGADOR DE CA Y EL PUERTO DE CARGA DE CC AL MISMO TIEMPO.**
- Enchufe el adaptador de carga en el faro buscahuella primero y, a continuación, enchúfelo en la fuente de carga.
- **Nota:** Para asegurar vida de batería máxima no cobre excesivamente. Cargue solamente hasta las luces de indicador verdes de estado de la carga del LED.
- No exponga el cargador a la lluvia ni a la nieve. Sólo use en lugares secos.
- No aplaste, corte ni tire de los cables del cargador, ni los exponga a calor extremo.
- Sitúe los cables del cargador de manera que no se enreden ni impliquen un riesgo de seguridad. Mantenga los cables del cargador alejados de los bordes filosos.
- Para reducir el riesgo de avería en el enchufe y el cable, tire del enchufe y no del cable al desconectar la unidad del cargador.
- El uso de un cable prolongador incorrecto puede provocar riesgo de incendio, descarga eléctrica o electrocución.
- Al cargar el faro buscahuella, use únicamente los cargadores provistos. El uso de cualquier otro cargador puede dañar el faro buscahuella o provocar una condición de riesgo.
- Use un solo cargador cuando carga.
- No intente cargar la unidad si el enchufe del cargador está dañado; envíe la unidad al fabricante para su reparación.
- No intente abrir el cargador. No contiene elementos que el cliente pueda reparar. Envíe la unidad al fabricante para su reparación.
- Todos los interruptores de encendido/apagado (ON/OFF) deben estar en la posición de apagado (OFF) cuando se carga la unidad o cuando no está en uso. Asegúrese de que todos los interruptores estén en la posición de apagado (OFF) antes de realizar la conexión a una fuente de energía o carga.
- Después de una carga o recarga, desconecte el cargador o el cable prolongador y espere 5 minutos antes de usar.
- Esta unidad contiene una batería que no derrama. Para evitar daños posibles que puedan acortar la duración de la unidad, protéjala de la luz solar directa, el calor directo o la humedad.
- **PRIMEROS AUXILIOS – PIEL:** Si el ácido de la batería entra en contacto con la piel, enjuáguese inmediatamente con agua, luego lávese con agua y jabón. Si se presenta enrojecimiento, dolor o irritación, busque asistencia médica de inmediato.
- **OJOS:** Si el ácido de la batería entra en contacto con los ojos, lávese los ojos inmediatamente durante 15 minutos como mínimo y busque asistencia médica de inmediato.

### IMPORTANTE:

- Esta unidad se entrega en un estado de carga parcial. Antes del primer uso, cargue la unidad completamente durante 18 a 24 horas con el método de carga de CA. El indicador verde se encenderá cuando está cargado completamente.
- Lea y comprenda este manual de instrucciones antes de usar esta unidad.

## CONSERVE ESTAS INSTRUCCIONES

### INTRODUCCIÓN

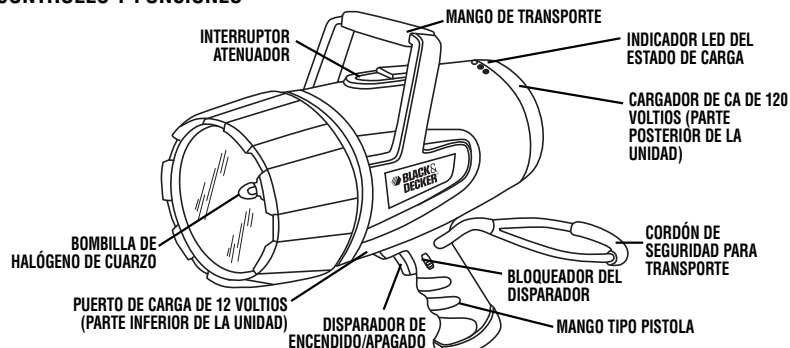
Gracias por elegir el **faro buscahuella V-2 Million Power Series™ de Black & Decker®**. Lea esta guía con detenimiento antes de usarla para garantizar su óptimo rendimiento y evitar daños a la unidad.

### CARACTERÍSTICAS

- Potente haz de luz concentrado de halógeno de cuarzo con interruptor atenuador para aumentar y disminuir la intensidad de luz
- La tapa de seguridad protege el cargador de CA de 120 voltios
- Cómodos mango tipo pistola y cordón de seguridad para transporte
- Indicador LED del estado de carga
- El cargador de CA de 120 voltios incorporado, aprobado por UL, funciona con un cable prolongador estándar para uso doméstico (no incluido)

- Adaptador de carga de CC de 12 voltios incluido
- Batería de plomo ácido, sellada, antiderrame, recargable

### CONTROLES Y FUNCIONES



### CARGA Y RECARGA DEL FARO BUSCAHUELLA

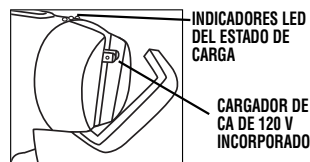
Esta unidad se entrega parcialmente cargada. ANTES del primer uso, cargue la unidad con el cargador de CA de 120 voltios durante 18 a 24 horas o hasta que el indicador LED verde del estado de la batería se encienda. Después de cada uso, cárguela hasta que el indicador LED verde del estado de carga se encienda.

#### Carga/Recarga con el cargador de CA de 120 voltios y un cable prolongador estándar para uso doméstico (no incluido)

Conecte un cable prolongador estándar de CA de 120 voltios de Estados Unidos (no incluido) en el cargador de CA de 120 voltios en la parte posterior de la unidad.

Asegúrese de que el faro buscahuella esté apagado (que el bloqueador del disparador esté en la posición de apagado y que el disparador no esté oprimido).

Cargue por 18 a 24 horas o hasta las luces de indicador verdes del estado LED de la batería.



**Notas:** Para prolongar la vida útil de la batería, desconecte el cargador después de las 48 horas.

Todas las baterías se descargan con el transcurso del tiempo, especialmente cuando están calientes.

Cuando no utilice la unidad con frecuencia, recárguela durante 18-24 horas cada dos meses.

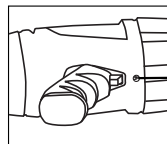
Si no utilizará la unidad por un período prolongado, desconecte el cargador y almacénelo en un lugar fresco y seco.

#### Carga/Recarga con el adaptador de carga de CC de 12 voltios

Enchufe la punta del cilindro del adaptador de carga de CC de 12 voltios suministrado en el puerto de carga de CC de 12 voltios (ilustrados en las siguientes figuras).



ADAPTADOR DE CARGA DE CC DE 12 VOLTIOS



PUERTO DE CARGA DE CC DE 12 VOLTIOS (PARTE INFERIOR DE LA UNIDAD)

Inserte el enchufe de CC de 12 voltios en el tomacorriente para accesorios de su vehículo u otro suministro de energía de CC de 12 voltios.

Asegúrese de que el faro buscahuella esté apagado (que el bloqueador del disparador esté en la posición de apagado y que el disparador no esté oprimido).

Cargue la unidad hasta que el indicador LED verde del estado de carga se encienda.

**Notas:** Al usar el tomacorriente para accesorios de CC y 12 voltios del vehículo como fuente de carga, tenga en cuenta que algunos vehículos requieren que se encienda la ignición para accionar el tomacorriente para accesorios.

Para evitar profundamente descargar su batería del vehículo que recomendamos tener el funcionamiento del vehículo mientras que recargan la luz con el adapte de la recarga de la CC.

**ADVERTENCIA:** NUNCA INTENTE USAR EL CARGADOR DE CA Y EL PUERTO DE CARGA DE CC AL MISMO TIEMPO.

### INSTRUCCIONES DE OPERACIÓN

El interruptor disparador está ubicado en la parte delantera del mango tipo pistola del faro buscahuella (consulte la ilustración de "Controles y funciones").

- Para encender el faro buscahuella, oprima el disparador de encendido/apagado.
- Para apagar el faro buscahuella, libere el disparador de encendido/apagado.

Para bloquear el disparador en la posición de encendido y tener un funcionamiento continuo, oprima el disparador de encendido/apagado y deslice hacia ABAJO el botón bloqueador del disparador, que se encuentra al costado del mango (consulte la ilustración "Controles y funciones"). El faro buscahuella permanecerá ENCENDIDO hasta que deslice nuevamente el botón bloqueador del disparador hacia ARRIBA.

#### Interruptor atenuador

El interruptor atenuador está ubicado en la parte superior del faro buscahuella (consulte la ilustración "Controles y funciones"). Deslice el interruptor hacia adelante (hacia la bombilla del faro buscahuella) para subir la intensidad del haz de luz, o bien, hacia atrás para disminuir la intensidad.

#### Uso del mango de transporte como base para operar sin manos

Invierta la unidad para usar el mango de transporte como base y colocarlo sobre una superficie plana y estable a fin de operar sin manos.

#### Uso del cordón de seguridad para transporte incorporado

El cordón de seguridad para transporte se puede usar para guardar o transportar el faro buscahuella; también le permite colocar el faro buscahuella en una posición cómoda para operarlo sin manos.

#### PRECAUCIÓN: PARA REDUCIR EL RIESGO DE DAÑOS EN EL PRODUCTO:

- Sólo use el cordón de seguridad para transportar o colgar el faro buscahuella, ya que no está diseñado para soportar peso adicional. No conecte ni cuelgue ningún elemento adicional a la luz, si lo hace podría provocar daños.
- Cuando la luz o cualquier objeto esté colgado del cordón de seguridad, no los sacuda. No cuelgue la luz de ningún cable eléctrico o de ningún otro elemento que no sea seguro.

### CUIDADO Y MANTENIMIENTO

Todas las baterías se descargan con el transcurso del tiempo, especialmente cuando están calientes. Recargue la unidad cada dos meses cuando no la usa con frecuencia, de preferencia con el método de CA de 120 voltios.

Nunca sumerja esta unidad en agua. Si la unidad se ensucia, limpie con cuidado las superficies externas con un paño suave humedecido con una solución suave de agua y detergente.

#### Reemplazo/Eliminación de la batería

##### REEMPLAZO DE LA BATERÍA

La batería debe durar el tiempo de vida útil de la unidad. Comuníquese con el soporte técnico a la línea gratuita 1-800-544-6986, para obtener cualquier información que pueda necesitar.

##### ELIMINACIÓN DE LA BATERÍA

Contiene una batería de plomo-ácido sellada, que no derrama y no requiere mantenimiento, que debe ser eliminada de la manera correcta. Se requiere reciclado: comuníquese con su autoridad local para obtener información. El incumplimiento de las reglamentaciones locales, estatales y federales pueden provocar multas o penas de prisión.

Para obtener más información sobre cómo reciclar esta batería, llame a la línea gratuita 1-800-544-6986.

#### ADVERTENCIAS:

- No elimine esta batería en el fuego, ya que puede producirse una explosión.
- Antes de eliminar la batería, proteja los terminales expuestos con cinta aislante para trabajo pesado para evitar cortocircuitos (un cortocircuito puede producir lesiones o incendio).
- No ponga la batería al fuego o a un calor intenso, porque puede explotar.
- Para obtener más información sobre cómo reciclar esta batería, llame a la línea gratuita 1-800-544-6986.



### Reemplazo del fusible del enchufe del adaptador de CC de 12 voltios

El fusible en el extremo del adaptador de carga de CC de 12 voltios protege el circuito de carga del adaptador. Si el cargador de CA de 120 voltios funciona, pero el adaptador de carga de CC no, es posible que el fusible esté abierto (quemado).

Cómo reemplazar el fusible:

1. Desenrosque la tapa del enchufe de CC (en sentido contrario al de las agujas del reloj).
2. Retire el resorte, el contacto central y el fusible.
3. Controle el fusible con un controlador de continuidad.
4. Si está quemado, consiga un fusible de repuesto de 2 amperios y 250 voltios.
5. Vuelva a colocar el fusible, el resorte, el contacto y la tapa.
6. Atornille la tapa girándola en el sentido de las agujas del reloj hasta que esté ajustada en forma manual: **NO AJUSTE EN EXCESO.**
7. Verifique que el funcionamiento del adaptador de carga de CC de 12 voltios sea adecuado.

### DETECCIÓN DE PROBLEMAS

Problema	Solución
El faro buscahuella no se carga (el indicador LED verde del estado de carga no se enciende)	<ol style="list-style-type: none"> <li>1. Verifique la conexión del cargador de CA de 120 voltios (o del puerto de carga de CC).</li> <li>2. Verifique la conexión del suministro de energía de CA (o CC).</li> <li>3. Confirme que haya corriente de CA (o CC).</li> <li>4. Asegúrese de que el disparador no esté presionado (presionar el disparador cuando uno de los adaptadores de carga está enchufado interrumpe el proceso de carga).</li> <li>5. Asegúrese de que el bloqueador del disparador no esté accionado. Es posible que haya dejado el bloqueador del disparador activado luego de descargarse la batería. El faro buscahuella no se cargará hasta que el disparador no esté desbloqueado.</li> <li>6. Si el faro buscahuella no carga luego de verificar todo detallado, comuníquese con el soporte técnico a la línea gratuita 1-800-544-6986.</li> </ol>
El faro buscahuella no funciona	<ol style="list-style-type: none"> <li>1. Si cree que la bombilla está quemada, verifique el filamento. Si el filamento está arrollado e intacto, la bombilla no está quemada. Si la bombilla está quemada, llame al 1-800-544-6986 para localizar el centro de mantenimiento autorizado más cercano. El usuario NO puede reemplazar la bombilla.</li> <li>2. La luz puede ser de carga/recarga usando el adaptador de carga de la CC de 12 voltios. La unidad no funcionará mientras que carga/que recarga vía el cargador de la CC. Desenchufe de la fuente de la corriente continua de 12 voltios.</li> <li>3. La batería puede estar descargada por completo. Cargue la unidad siguiendo las instrucciones que se encuentran en el Manual de instrucciones.</li> <li>4. Si el faro buscahuella no funciona luego de recargarlo como se indica, comuníquese con el soporte técnico a la línea gratuita 1-800-544-6986.</li> </ol>
No se puede oprimir el disparador	Para desbloquear el disparador, deslice el botón bloqueador del disparador al costado del mango hacia arriba.

### ACCESORIOS

Los accesorios que se recomiendan para la herramienta están disponibles en su distribuidor local o en el centro de mantenimiento autorizado. Si necesita asistencia en relación con los accesorios, llame al: 1-800-544-6986.

**⚠ ADVERTENCIA:** El uso de accesorios no recomendados para utilizar con esta herramienta puede resultar peligroso.

### INFORMACIÓN DEL SERVICIO TÉCNICO

Todos los Centros de mantenimiento de Black & Decker cuentan con personal capacitado dispuesto a brindar a los clientes un servicio eficiente y confiable en la reparación de herramientas eléctricas. Si necesita consejo técnico, reparaciones o piezas de repuesto originales de fábrica, póngase en contacto con el Centro de Servicio de Black & Decker más cercano a su domicilio. Para ubicar su centro de mantenimiento local, consulte la sección "Herramientas eléctricas" (Tools-Electric) de las páginas amarillas, llame al **1-800-544-6986** o visite [www.blackanddecker.com](http://www.blackanddecker.com).

**⚠ PRECAUCIÓN: PARA REDUCIR EL RIESGO DE LESIONES O DAÑO A LA PROPIEDAD:** No abra la cubierta. No incluye elementos a los que el usuario pueda hacerles mantenimiento.

### GARANTÍA COMPLETA DE UN AÑO PARA USO DOMÉSTICO

Black & Decker (U.S.) Inc. ofrece una garantía de un año por cualquier defecto del material o de fabricación de este producto. El producto defectuoso se reparará o reemplazará sin costo alguno de dos maneras.

La primera opción, el reemplazo, es devolver el producto al comercio donde se lo adquirió (siempre y cuando se trate de un comercio participante). Las devoluciones deben realizarse conforme a la política de devolución del comercio (generalmente, entre 30 y 90 días posteriores a la venta). Le pueden solicitar comprobante de compra. Consulte en el comercio acerca de la política especial sobre devoluciones una vez excedido el plazo establecido.

La segunda opción es llevar o enviar el producto (con flete pago) a un Centro de mantenimiento propio o autorizado de Black & Decker para su reparación o reemplazo según nuestro criterio. Le pueden solicitar comprobante de compra. Encontrará una lista de los Centros de mantenimiento autorizados y de propiedad de Black & Decker bajo "Herramientas eléctricas" (Tools-Electric) en las páginas amarillas de la guía telefónica y también en nuestro sitio Web [www.blackanddecker.com](http://www.blackanddecker.com).

Esta garantía no se extiende a los accesorios. Esta garantía le concede derechos legales específicos; usted puede tener otros derechos que pueden variar según el estado o la provincia. Si tiene alguna pregunta, comuníquese con el Centro de mantenimiento de Black & Decker más cercano. Este producto no está diseñado para uso comercial.

**REEMPLAZO GRATUITO DE LA ETIQUETA DE PRECAUCIONES:** Si las etiquetas de advertencia se tornan ilegibles o faltan, llame al 1-800-544-6986 para que se le reemplacen gratuitamente.

### ESPECIFICACIONES

Bombilla para faro buscahuella:	12 voltios, serie H3, bombilla de 35 vatios/55 vatios de doble filamento
Batería:	Sin mantenimiento, plomo ácido sellada, 12 voltios, 3 A/h
Cargador incluido de CA:	Clase 2 aprobado por UL, CC de 12 voltios (300 mA)
Fusible del enchufe de CC:	2 A/250 V

Importador por  
Black & Decker (U.S.) Inc.,  
701 E. Joppa Rd.  
Towson, MD 21286 U.S.A.

### SOLAMENTE PARA PROPOSITOS DE MEXICO

**Grupo Realsa en herramientas, S.A. de C.V.**  
Súper Manzana 69 MZ.01  
Lote 30

(Av. Torcasita)  
Col. Puerto Juárez  
Cancún, Quintana Roo  
Tel. 01 998 884 72 27

**Ferre Pat de Puebla, S.A. de C.V.**  
16 de Septiembre No. 6149  
Col. El Cerrito  
Puebla, Puebla  
Tel. 01 222 264 12 12

**Ferre Pat de Puebla, S.A. de C.V.**  
Ejército Mexicano No. 15  
Col. Ejido 1ro. de Mayo  
Boca del Río, Veracruz  
Tel. 01 229 167 89 89

**Servicio de Fabrica Black & Decker, S.A. de C.V.**  
Lázaro Cardenas No. 18  
Col. Obrera  
Distrito Federal  
Tel. 55 88 95 02

**Representaciones Industriales Robles, S.A. de C.V.**

Tezozomoc No. 89  
Col. La Preciosa  
Distrito Federal  
Tel. 55 61 86 82

**Gpo. Comercial de Htas. y Refacciones de Occidente, S.A. de C.V.**  
Av. La Paz No. 1779  
Col. Americana, S. Juaréz  
Guadalajara, Jalisco  
Tel. 01 33 38 25 69 78

**Herramientas y Equipos Profesionales**  
Av. Colón 2915 Ote.  
Col. Francisco I. Madero  
Monterrey, Nvo. León  
Tel. 01 81 83 54 60 06  
**Htas. Portátiles de Chihuahua, S.A. de C.V.**  
Av. Universidad No. 2903  
Col. Fracc. Universidad  
Chihuahua, Chihuahua  
Tel. 01 614 413 64 04

**Fernando González Armenta**

Bolivia No. 605  
Col. Felipe Carrillo Puerto  
Cd. Madero, Tampico  
Tel. 01 833 221 34 50

**Perfiles y Herramientas de Morelia**  
Gertrudis Bocanegra  
No. 898  
Col. Ventura Puente  
Morelia, Michoacán  
Tel. 01 443 313 85 50

**Enrique Robles**  
Av. de la Solidaridad  
No. 12713  
Col. La Pradera  
Irapuato, Guanajuato  
Tel. 01 462 626 67 39

**Hernández Martínez Jeanette**  
Prolongación Corregidora  
Nte. No. 1104  
Col. Arboledas  
Querétaro, Qro.  
Tel. 01 442 245 25 80

**PARA OTRAS LOCALIDADES LLAME AL 01 800 847 2309 o 01 800 847 2312.**

**Vea "Herramientas eléctricas (Tools-Electric)" - Páginas amarillas - para Servicio y ventas**

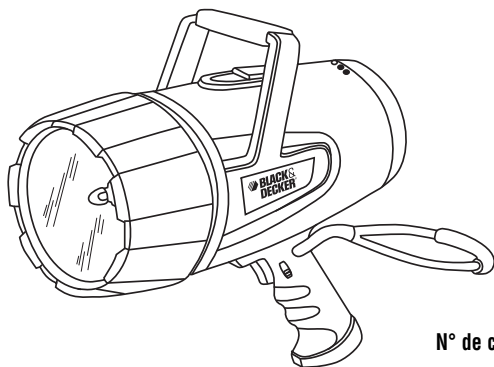


**BLACK & DECKER S.A. DE C.V.**  
BOSQUES DE CIDROS ACCESO RADIATAS NO. 42  
COL. BOSQUES DE LAS LOMAS.  
05120 MEXICO, D.F.  
TEL. (01 55) 5326 7100  
01 800 847 2309/01 800 847 2312





## PROJECTEUR V-2 MILLION POWER SERIES™ MODE D'EMPLOI



N° de catalogue SL302B

**Merci d'avoir choisi Black & Decker!**  
**Consulter le site Web**  
**[www.BlackandDecker.com/NewOwner](http://www.BlackandDecker.com/NewOwner)**  
**pour enregistrer votre nouveau produit.**

### À LIRE AVANT DE RETOURNER CE PRODUIT POUR QUELQUE RAISON QUE CE SOIT :

Si des questions ou des problèmes surgissent après l'achat d'un produit Black & Decker,  
consulter le site Web

**[HTTP://WWW.BLACKANDDECKER.COM/INSTANTANSWERS](http://WWW.BLACKANDDECKER.COM/INSTANTANSWERS)**

pour obtenir des réponses instantanément 24 heures par jour.

Si la réponse est introuvable ou en l'absence d'accès à Internet, composer le  
1-800-544-6986 de 8 h à 17 h HNE, du lundi au vendredi, pour parler avec un agent.

Prière d'avoir le numéro de catalogue sous la main lors de l'appel.

**CONSERVER CE MANUEL POUR UN USAGE ULTÉRIEUR.**

N.° de catálogo SL302B  
Nov. 2009

N.° de forme 90558474  
Copyright © 2009 Black & Decker Imprimé en Chine

## LIGNES DIRECTRICES EN MATIÈRE DE SÉCURITÉ/DEFINITIONS

⚠ **DANGER** : indique une situation dangereuse imminente qui, si elle n'est pas évitée, entraînera la mort ou des blessures graves.

⚠ **AVERTISSEMENT** : indique une situation potentiellement dangereuse qui, si elle n'est pas évitée, pourrait entraîner la mort ou des blessures graves.

⚠ **MISE EN GARDE** : indique une situation potentiellement dangereuse qui, si elle n'est pas évitée, pourrait entraîner des blessures légères ou modérées.

Le terme **MISE EN GARDE** utilisé sans le symbole d'alerte à la sécurité indique une situation potentiellement dangereuse qui, si elle n'est pas évitée, pourrait se solder par des dommages matériels.

**DANGERS D'UTILISATION DANGEREUSE.** Lors de l'utilisation d'outils ou d'équipements, des précautions de base en matière de sécurité doivent être prises afin de réduire le risque de blessure. Un fonctionnement, un entretien ou une modification inappropriés des outils ou des équipements pourraient provoquer de graves blessures ou des dommages matériels. Certains outils et équipements sont conçus pour des applications spécifiques. Black & Decker recommande fortement de NE PAS modifier ce produit ni de l'utiliser pour une application autre que celle pour laquelle il a été conçu. Lire et comprendre tous les avertissements et toutes les directives d'utilisation avant d'utiliser un outil ou un équipement.

## DIRECTIVES DE SÉCURITÉ IMPORTANTES

⚠ **DIRECTIVES ET AVERTISSEMENTS DE SÉCURITÉ GÉNÉRAUX POUR TOUS LES APPAREILS ÉLECTRIQUES**

### LIRE TOUTES CES DIRECTIVES

⚠ **AVERTISSEMENT** : lire toutes les directives avant d'utiliser le produit. Négliger de suivre toutes les directives suivantes peut entraîner des risques de décharges électriques, d'incendie et/ou de blessures graves.

- **ÉVITER LES ENVIRONNEMENTS DANGEREUX.** Ne pas utiliser les appareils électriques dans un endroit humide ou mouillé. Ne pas utiliser les appareils électriques sous la pluie.
- **TENIR LES ENFANTS À L'ÉCART.** Tous les visiteurs doivent se tenir éloignés de la zone de travail.
- **RANGER LES APPAREILS ÉLECTRIQUES INUTILISÉS À L'INTÉRIEUR.** Lorsqu'ils ne sont pas utilisés, les appareils électriques doivent être rangés à l'intérieur dans un endroit sec, élevé ou dans un endroit verrouillé, hors de la portée des enfants.
- **NE PAS FORCER L'APPAREIL ÉLECTRIQUE.** Il fera un meilleur travail à la vitesse pour laquelle il a été conçu, et ce, sans risque de blessure.
- **UTILISER L'APPAREIL ÉLECTRIQUE APPROPRIÉ.** Ne pas utiliser l'appareil électrique pour une autre application que celle pour laquelle il a été prévu.
- **S'HABILLER DE MANIÈRE APPROPRIÉE.** Ne pas porter de vêtements amples ni de bijoux. Ils peuvent s'enchevêtrer dans les pièces mobiles. Des gants de caoutchouc et des chaussures antidérapantes robustes sont recommandés pour les travaux à l'extérieur. Couvrir les cheveux s'ils sont longs.
- **UTILISER DES LUNETTES DE SÉCURITÉ ET TOUT AUTRE ÉQUIPEMENT DE SÉCURITÉ.** Utiliser des lunettes de sécurité ou des lunettes à coques conformes aux normes en matière de sécurité et, le cas échéant, un protecteur facial. Utiliser également un masque facial ou antipoussières si l'opération génère de la poussière. Ces directives s'appliquent à toutes les personnes dans la zone de travail. Utiliser aussi un casque de sécurité, des protecteurs auditifs, des gants, des chaussures de sécurité et des systèmes de dé poussiérage lorsque leur utilisation est prévue ou exigée. Des lunettes de sécurité ou des accessoires similaires sont vendus séparément par le détaillant local ou le centre de réparation Black & Decker.
- **NE PAS UTILISER LE CORDON D'ALIMENTATION DE FAÇON ABUSIVE.** Ne jamais transporter l'appareil électrique par son cordon ou tirer sur ce dernier pour le débrancher de la prise. Tenir le cordon éloigné de la chaleur, de l'huile et des bords tranchants.
- **NE PAS TROP TENDRE LES BRAS.** Conserver son équilibre en tout temps.
- **DÉBRANCHER L'APPAREIL ÉLECTRIQUE.** Le chargeur secteur et l'adaptateur de charge en courant continu devraient être maintenus en bon état de fonctionnement. Pour éviter d'endommager l'appareil ou l'adaptateur, couper l'appareil de toute source d'alimentation lorsqu'il ne sert pas, avant de le nettoyer, pendant les orages électriques et lors du changement d'accessoires ou lorsqu'il restera inutilisé pendant une longue période. Pour

couper l'alimentation de l'appareil, il faut que le chargeur secteur soit entièrement débranché de toute rallonge pour alimentation en courant alternatif et de l'adaptateur de charge en courant continu.

- **ÉVITER LES RISQUES DE DÉMARRAGE ACCIDENTEL.** Ne pas transporter l'appareil électrique branché tandis que le doigt repose sur l'interrupteur. S'assurer que l'interrupteur est à la position arrêt au moment de brancher l'appareil.
- **UN DISJONCTEUR DE FUITE À LA TERRE** doit être installé pour protéger les circuits ou les prises utilisés. Des prises avec disjoncteur de fuite à la terre intégré sont aussi disponibles et peuvent être utilisées comme mesures de sécurité.
- **UTILISATION D'ACCESSOIRES ET DE PIÈCES DÉTACHÉES.** L'utilisation de tout accessoire ou pièce détachée non recommandés avec cet appareil électrique pourrait s'avérer dangereuse. Remarque : pour de plus amples renseignements, voir la rubrique Accessoires de ce mode d'emploi.
- **DEMEURER VIGILANT.** Surveiller son travail. Faire preuve de jugement. Ne pas utiliser l'appareil en cas de fatigue.
- **VÉRIFIER LES PIÈCES ENDOMMAGÉES.** Si un dispositif de protection, ou toute autre pièce, est endommagé, il faudra faire examiner soigneusement l'appareil avant toute utilisation ultérieure afin d'assurer un fonctionnement adéquat selon sa fonction prévue. Vérifier l'alignement des pièces mobiles, les situations de grippage de pièces mobiles et de rupture de pièces, l'assemblage et toute autre situation pouvant nuire au fonctionnement de l'appareil. Un dispositif de protection endommagé, ou toute autre pièce endommagée, doit être réparé ou remplacé adéquatement par un centre de réparation autorisé à moins d'un avis contraire indiqué dans le présent mode d'emploi. Faire remplacer les interrupteurs défectueux dans un centre de réparation autorisé. Ne pas utiliser l'outil si l'interrupteur ne fonctionne pas.
- **NE PAS UTILISER** d'outils électriques portatifs à proximité de liquides inflammables ou dans un milieu gazeux ou déflagrant. Les moteurs de ces outils produisent normalement des étincelles susceptibles d'enflammer des émanations.
- **RALLONGES POUR UTILISATION EXTÉRIEURE.** Si l'appareil est utilisé à l'extérieur, utiliser uniquement des rallonges prévues à cet effet et ainsi marquées.
- **RALLONGES.** S'assurer que la rallonge est en bon état. Lorsqu'une rallonge est utilisée, s'assurer d'utiliser un calibre suffisamment élevé pour assurer le transport du courant nécessaire au fonctionnement de l'appareil. Une rallonge de calibre inférieur causera une chute de tension de ligne et donc une perte de puissance et une surchauffe. Le tableau suivant indique le calibre approprié à utiliser selon la longueur de la rallonge et l'intensité nominale de la plaque signalétique. En cas de doute, utiliser le calibre supérieur suivant. Plus le numéro de calibre est petit, plus le cordon est de calibre élevé.

Tension		Calibre minimum pour une rallonge			
		Longueur totale de la rallonge en pieds (mètres)			
120V	0-25	26-50	51-100	101-150	
	(0-7,6m)	(7,6-15,2m)	(15,2-30,4m)	(30,4-45,7m)	
240V	0-50	51-100	101-200	201-300	
	(0-15,2m)	(15,2-30,4m)	(30,4-60,9m)	(60,9-91,4m)	
Intensité nominale		AWG			
Plus de	Pas plus de				
0 à 6	18	16	14	12	
6 à 10	18	16	14	12	
10 à 12	16	16	14	12	
12 à 16	14	12	Non recommandé		

- **AVERTISSEMENT : POUR RÉDUIRE LE RISQUE DE DÉCHARGES ÉLECTRIQUES :**
  - Ne pas brancher dans une source d'alimentation sans la lentille de l'ampoule et le couvercle en position.
  - Ne pas immerger le projecteur dans de l'eau ou tout autre liquide. Ne pas déposer ou ranger le projecteur à un endroit d'où il pourrait tomber dans une baignoire ou un évier.
  - Maintenir la lentille en place.
  - Ne pas faire fonctionner cet appareil sans lentille.
- **AVERTISSEMENT : RISQUE D'INCENDIE :** ne jamais mettre de matières combustibles en contact avec la lentille.
- **AVERTISSEMENT : RISQUE DE BRÛLURE :** la lentille chaude peut provoquer un incendie ou causer des dommages matériels. ne pas toucher à la lentille ou l'obstruer.
- Toutes les ampoules halogènes produisent de la chaleur :
  - Ne pas toucher à la lentille en cours de fonctionnement.
  - Éloigner les matières combustibles de la lentille du projecteur. La chaleur extrême risque de provoquer un incendie.
  - Ne jamais déposer, sur une surface, le projecteur du côté de la lentille lorsqu'il est allumé ou vient d'être éteint.
  - Ne pas toucher à la lentille ou au boîtier, car ils deviennent chauds en cours de fonctionnement et demeurent chauds pendant plusieurs minutes après la fermeture du projecteur.
  - Laisser le projecteur refroidir complètement avant de l'entreposer ou de le charger.

– Ne pas laisser le projecteur sans surveillance. Éloigner les enfants et les animaux de la zone de travail.

#### ▲ MISE EN GARDE : POUR RÉDUIRE LE RISQUE DE BLESSURES OU DE DOMMAGES MATÉRIELS :

- Utiliser uniquement sur une surface plane et stable. Si un chariot est utilisé, faire preuve de prudence lors du déplacement du projecteur sur le chariot afin d'éviter les blessures causées par le renversement. Ne jamais déposer, sur une surface, le projecteur du côté de la lentille.
- Ne jamais regarder directement le faisceau lumineux ni le pointer dans les yeux d'une autre personne.
- Éloigner les objets pointus de la lentille. Elle est en verre et peut se briser.
- La lentille de la lampe bloque les rayons UV nocifs. Ne pas se servir de la lampe si la lentille est craquelée ou brisée.
- Ne pas immerger le projecteur dans l'eau.
- Ne pas échapper ni lancer le projecteur. Il contient du verre et une pile au plomb scellée.
- Utiliser uniquement dans un environnement sec.
- Ne pas ouvrir le corps du boîtier. Aucune pièce à l'intérieur ne peut être réparée par l'utilisateur.



## AVERTISSEMENTS ET LIGNES DIRECTRICES EN MATIÈRE DE SÉCURITÉ LIÉE À LA RECHARGE

Avant d'utiliser le chargeur, lire toutes les directives et les indications d'avertissement apposées sur le chargeur et l'appareil.

- **▲ MISE EN GARDE :** pour réduire le risque de blessure, charger seulement les piles Black & Decker. D'autres types de piles peuvent exploser et provoquer des blessures corporelles et des dommages.
- **NE JAMAIS UTILISER LE CHARGEUR SECTEUR ET LE PORT DE CHARGE EN COURANT CONTINU SIMULTANÉMENT.**
- Brancher d'abord l'adaptateur de charge au projecteur, puis brancher le tout à la source d'alimentation.
- **Remarque :** Pour assurer la durée de vie de la pile maximum ne surchargez pas. Chargez seulement jusqu'à ce que l'indicateur vert de charge de LED s'allume.
- Protéger le chargeur de la pluie et de la neige. Utiliser uniquement dans un environnement sec.
- Ne pas écraser, ni couper, ni tirer les cordons du chargeur. Les protéger de la chaleur extrême.
- Positionner les cordons du chargeur de sorte qu'ils ne s'enchevêtrent pas ou qu'ils ne présentent pas un risque à la sécurité. Éloigner les cordons du chargeur des bords tranchants.
- Pour réduire le risque de dommages à la fiche et au cordon d'alimentation, tirer sur la fiche plutôt que sur le cordon pour débrancher l'appareil du chargeur.
- L'utilisation d'une rallonge inadéquate risque d'entraîner un incendie, une décharge électrique ou une électrocution.
- Utiliser seulement les chargeurs fournis pour recharger ce projecteur. L'utilisation de tout autre chargeur risque d'endommager le projecteur ou de créer une situation dangereuse.
- Utiliser un seul chargeur pour charger.
- Ne pas essayer de recharger l'appareil si la fiche du chargeur est endommagée. Retourner l'appareil au fabricant pour des réparations.
- Ne pas tenter d'ouvrir le chargeur. Aucune pièce à l'intérieur ne peut être réparée par le client. Le retourner au fabricant pour réparation.
- Les interrupteurs MARCHE/ARRÊT doivent être en position ARRÊT lorsque l'appareil est en charge ou n'est pas utilisé. S'assurer que tous les interrupteurs sont en position ARRÊT avant de connecter l'appareil à une source d'alimentation ou à la charge.
- Après la charge/recharge de l'appareil, débrancher le chargeur ou la rallonge et attendre 5 minutes avant de l'utiliser.
- L'unité contient une pile sans déversement. Pour éviter tout dommage susceptible de raccourcir la durée de vie opérationnelle de l'appareil, le protéger de la lumière directe du soleil, de toute source de chaleur directe et/ou de l'humidité.
- **PREMIERS SOINS : PEAU :** si de l'acide de pile entre en contact avec la peau, rincer immédiatement avec de l'eau puis laver soigneusement avec de l'eau savonneuse. Si une rougeur, une douleur ou une irritation se produit, consulter tout de suite un médecin.
- **YEUX :** si de l'acide de pile entre en contact avec les yeux, les laver immédiatement à grande eau pendant un minimum de 15 minutes et consulter immédiatement un médecin.

#### IMPORTANT:

- Cette unité est livrée dans un état de charge partielle. Avant la première utilisation, chargez l'unité complètement pendant 18 à 24 heures avec la méthode de charge de CA. L'indicateur vert sera allumé quand il sera chargé complètement.
- Lire et comprendre le présent mode d'emploi avant d'utiliser cet appareil.

# CONSERVER CES DIRECTIVES

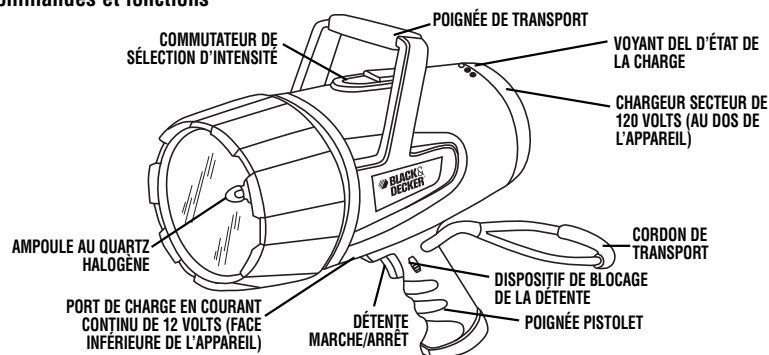
## INTRODUCTION

Merci d'avoir choisi le projecteur Black & Decker® V-2 Million Power Series™. Lire attentivement le présent guide avant l'utilisation afin de garantir des performances optimales et d'éviter tout dommage à l'appareil.

## CARACTÉRISTIQUES

- Puissant faisceau concentré au quartz-halogène avec commutateur de sélection de haute ou faible intensité
- Couvercle de sécurité protégeant le chargeur secteur de 120 volts
- Poignée pistolet confortable avec cordon de transport
- Voyant DEL d'état de charge
- Chargeur secteur de 120 volts intégré et homologué UL qui fonctionne avec une rallonge domestique standard (non comprise)
- Adaptateur de charge en courant continu de 12 volts compris
- Pile au plomb scellée, rechargeable et sans déversement

## Commandes et fonctions



## CHARGE/RECHARGE DU PROJECTEUR

Cet appareil est livré partiellement chargé. Charger l'appareil AVANT la première utilisation avec le chargeur secteur de 120 volts pendant une durée de 18 à 24 heures ou jusqu'à ce que le voyant DEL d'état de charge vert s'allume. Charger l'appareil après chaque utilisation jusqu'à ce que le voyant DEL d'état de charge vert s'allume.

### Charge/Recharge avec le chargeur secteur de 120 volts et une rallonge domestique normale (non comprise)

Brancher une rallonge standard nord-américaine (non comprise) prévue pour 120 volts sur secteur dans le chargeur secteur de 120 volts au dos de l'appareil.

S'assurer que le projecteur est éteint (le dispositif de blocage de la détente est à la position d'ARRÊT et la détente est relevée).

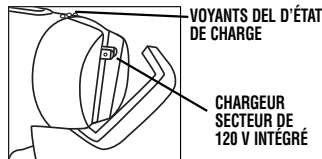
Charger l'appareil jusqu'à ce que le voyant DEL d'état de charge vert s'allume (environ de 18 à 24 heures).

**Remarques :** pour prolonger la durée de vie de la pile, déconnecter le chargeur au bout de 48 heures.

Toutes les piles perdent leur charge avec le temps, particulièrement lorsqu'elles sont chaudes.

Recharger l'appareil tous les deux mois pour une durée de 18-24 heures lorsqu'il n'est pas utilisé fréquemment.

Si l'appareil n'est pas utilisé pendant une période de temps prolongée, déconnecter le chargeur et le ranger dans un endroit frais et sec.

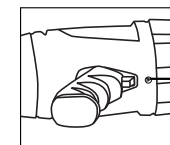


### Charge/Recharge avec l'adaptateur de charge en courant continu de 12 volts

Insérer l'extrémité cylindrique de l'adaptateur de charge en courant continu de 12 volts fourni dans le port de charge compatible (illustré ci-dessous).



ADAPTATEUR DE CHARGE EN COURANT CONTINU DE 12 VOLTS



PORT DE CHARGE EN COURANT CONTINU DE 12 VOLTS (FACE INFÉRIEURE DE L'APPAREIL)

Insérer l'extrémité de la fiche de courant continu de 12 volts dans la prise accessoire du véhicule ou dans toute autre source d'alimentation en courant continu de 12 volts.

S'assurer que le projecteur est éteint (le dispositif de blocage de la détente est à la position d'ARRÊT et la détente est relevée).

Charger l'appareil jusqu'à ce que le voyant DEL d'état de charge vert s'allume.

**Remarques :** il faut savoir qu'il est parfois nécessaire d'allumer le contact du véhicule pour alimenter la prise accessoire de courant continu de 12 volts lorsque celle-ci est utilisée comme source d'alimentation pour la charge. Pour éviter de décharger profondément votre batterie de véhicule que nous recommandons d'avoir le fonctionnement de véhicule tout en rechargeant la lumière avec l'adaptateur de recharge de cc.

**AVERTISSEMENT ; NE JAMAIS UTILISER LE CHARGEUR SECTEUR ET LE PORT DE CHARGE EN COURANT CONTINU SIMULTANÉMENT.**

## FONCTIONNEMENT

La détente est logée à l'avant de la poignée pistolet du projecteur (se reporter à l'illustration « Commandes et fonctions »).

- Appuyer sur la détente MARCHE/ARRÊT pour allumer le projecteur.
- Relâcher la détente MARCHE/ARRÊT pour éteindre le projecteur.

Pour un fonctionnement en continu, il faut bloquer la détente MARCHE/ARRÊT. Pour ce faire, enfoncer la détente MARCHE/ARRÊT et glisser le bouton de verrouillage de la détente, logé sur le côté de la poignée, VERS LE BAS (se reporter à l'illustration « Commandes et fonctions »). Le projecteur fonctionnera jusqu'à ce qu'on glisse de nouveau le bouton de verrouillage de la détente VERS LE HAUT.

### Commutateur de sélection d'intensité

Le commutateur de sélection d'intensité est logé sur le dessus du projecteur (se reporter à l'illustration « Commandes et fonctions »). Pour mettre le projecteur à pleine puissance, coulisser le sélecteur vers l'avant (en direction de l'ampoule du projecteur); pour abaisser la puissance du faisceau, le glisser vers l'arrière.

### Utilisation de la poignée de transport en tant que socle pour un fonctionnement mains libres

Mettre l'appareil à l'envers pour employer la poignée de transport en guise de socle et le déposer sur une surface plane et stable en vue d'une utilisation mains libres.

### Utilisation du cordon de transport intégré

Le cordon de transport peut servir à ranger ou à transporter le projecteur; il permet également de mettre le projecteur en place en vue d'une utilisation mains libres commode.

### MISE EN GARDE : POUR RÉDUIRE LE RISQUE DE DOMMAGES AU PRODUIT :

- Utiliser uniquement le cordon de transport pour transporter ou suspendre le projecteur. Il n'est pas conçu pour supporter un poids supplémentaire. Ne rien fixer ou suspendre en plus à la lampe pour éviter le risque de briser quoi que ce soit.
- Lorsque la lampe est suspendue par le cordon de transport, ne pas secouer la lampe ou la fixation qui la retient. Ne pas suspendre la lampe au moyen d'un fil électrique ou de tout objet non fixé.

## SOINS ET ENTRETIEN

Toutes les piles perdent leur charge avec le temps, particulièrement lorsqu'elles sont chaudes. Recharger l'appareil tous les deux mois même s'il n'est pas utilisé régulièrement, de préférence avec la méthode de charge par secteur à 120 volts.

Ne jamais immerger l'appareil dans de l'eau. S'il est sale, nettoyer les surfaces externes du projecteur délicatement avec un chiffon doux humecté d'une solution d'eau et de détergent à faible concentration.

### Remplacement/Élimination de la pile

#### REPLACEMENT DE LA PILE

La pile devrait fonctionner pour la durée de vie de l'appareil. Pour de plus amples renseignements, communiquer avec le Service d'assistance technique en composant sans frais le 1-800-544-6986.

#### ÉLIMINATION DE LA PILE

Comprend une pile au plomb sans entretien, scellée et sans déversement qui doit être correctement éliminée. Un recyclage est requis; contacter l'autorité locale pour plus de renseignements. Négliger de respecter les règlements locaux, provinciaux et fédéraux peut entraîner amendes et/ou emprisonnement. Pour de plus amples renseignements relatifs au recyclage de cette pile, composer sans frais le 1-800-544-6986.



#### ⚠ AVERTISSEMENTS :

- **Ne pas jeter la pile dans les flammes. Une telle pratique pourrait se solder par une explosion.**
- **Avant d'éliminer la pile, protéger les bornes exposées avec du ruban isolant solide pour éviter tout court-circuit (un court-circuit peut provoquer une blessure ou un incendie).**
- **Protéger la pile des flammes ou de la chaleur intense, car elle risquerait d'exploser.**
- **Pour de plus amples renseignements relatifs au recyclage de cette pile, composer sans frais le 1-800-544-6986**

### Remplacement du fusible de la fiche de l'adaptateur de charge en courant continu de 12 volts

Le fusible de l'extrémité de la fiche de l'adaptateur de charge en courant continu de 12 volts protège le circuit de charge de l'adaptateur. Si le chargeur secteur de 120 volts fonctionne mais non l'adaptateur de charge en courant continu, il est possible que le fusible soit coupé (grillé).

Remplacement du fusible :

1. Dévisser le bouchon de la fiche de courant continu (en tournant en sens antihoraire).
2. Retirer le ressort, le contact central et le fusible.
3. Vérifier le fusible avec un dispositif de contrôle de continuité.
4. S'il est grillé, utiliser un fusible de rechange de 2 ampères, 250 volts.
5. Replacer le fusible, le ressort, le contact et le bouchon.
6. Visser à la main le bouchon en sens horaire. NE PAS TROP SERRER.
7. Tester le fonctionnement de l'adaptateur de charge en courant continu de 12 volts.

## DÉPANNAGE

Problème	Solution
Le projecteur ne se recharge pas (le voyant DEL d'état de charge vert ne s'allume pas).	<ol style="list-style-type: none"> <li>1. Vérifier la connexion du chargeur secteur de 120 volts (ou du port de charge en courant continu).</li> <li>2. Vérifier la connexion à la source d'alimentation c.a. (ou c.c.).</li> <li>3. Confirmer la présence d'un courant c.a. (ou c.c.).</li> <li>4. S'assurer que la détente n'est pas enfoncée (l'activation de la détente tandis que l'un des adaptateurs de charge est branché interrompt le processus de recharge).</li> <li>5. S'assurer que le bouton de verrouillage de la détente n'est pas engagé. Il est possible que le bouton de verrouillage de la détente ait été laissé sur MARCHE lors de la décharge de la pile. Il sera impossible de recharger le projecteur avant de déverrouiller la détente.</li> <li>6. S'il est toujours impossible de recharger le projecteur après toutes les tentatives ci-dessus, communiquer avec le Service d'assistance technique au numéro sans frais : 1-800-544-6086.</li> </ol>

Problème	Solution
Le projecteur ne fonctionne pas.	<ol style="list-style-type: none"> <li>1. Si l'ampoule semble grillée, vérifier l'état du filament. Si le filament est enroulé et intact, l'ampoule est bonne. Dans le cas contraire, composer le 1-800-544-6986 pour localiser le centre de réparation agréé le plus près. L'ampoule N'est PAS une pièce remplaçable par l'utilisateur.</li> <li>2. La lumière peut être chargeante/rechargeante utilisant l'adaptateur de remplissage de c.c. de 12 volts. L'unité ne fonctionnera pas tout en chargeant/se rechargeant par l'intermédiaire du chargeur de c.c. Débranchez de la source d'alimentation c.c. de 12 volts.</li> <li>3. La pile est peut-être complètement déchargée. Respecter les directives du présent mode d'emploi pour recharger l'appareil.</li> <li>4. Si le projecteur ne fonctionne pas après une recharge effectuée selon les directives, communiquer avec le Service d'assistance technique en composant sans frais le 1-800-544-6986.</li> </ol>
La détente est bloquée.	Glisser le bouton de verrouillage de la détente sur le côté de la poignée vers le haut pour déverrouiller la détente.

## ACCESSOIRES

Les accessoires recommandés pouvant être utilisés avec l'appareil sont disponibles auprès de votre détaillant ou centre de réparation local autorisé. Pour tout renseignement concernant les accessoires, composer le : **1-800-544-6986**.

⚠ **AVERTISSEMENT** : l'utilisation de tout accessoire non recommandé avec cet appareil pourrait s'avérer dangereuse.

## INFORMATION SUR LES RÉPARATIONS OU L'ENTRETIEN

Tous les centres de réparation Black & Decker sont dotés de personnel qualifié en matière d'appareil électrique; ils sont donc en mesure d'offrir à leur clientèle un service efficace et fiable. Que ce soit pour un avis technique, une réparation ou des pièces de rechange authentiques installées en usine, communiquer avec l'établissement Black & Decker le plus près de chez vous. Pour trouver l'établissement de réparation de votre région, consulter le répertoire des Pages jaunes à la rubrique « Appareils électriques » ou composer le numéro suivant : **1-800-544-6986** ou consulter le site [www.blackanddecker.com](http://www.blackanddecker.com).

⚠ **MISE EN GARDE : POUR RÉDUIRE LE RISQUE DE BLESSURES OU DE DOMMAGES MATÉRIELS** : Ne pas ouvrir le corps du boîtier. Aucune pièce à l'intérieur ne peut être réparée par l'utilisateur.

## GARANTIE COMPLÈTE D'UN AN POUR UNE UTILISATION DOMESTIQUE

Black & Decker (É.-U.) Inc. garantit ce produit pour une durée d'un an contre tout défaut de matériau ou de fabrication. Le produit défectueux sera remplacé ou réparé sans frais de l'une des deux façons suivantes : La première façon consiste en un échange chez le détaillant où le produit a été acheté (à la condition que le magasin soit un détaillant participant). Tout retour doit se faire durant la période correspondant à la politique d'échange du détaillant (habituellement, de 30 à 90 jours après l'achat). Une preuve d'achat peut être requise. Vérifier auprès du détaillant pour connaître sa politique concernant les retours hors de la période définie pour les échanges.

La deuxième option est d'apporter ou d'envoyer le produit (transport payé d'avance) à un centre de réparation autorisé ou à un centre de réparation de Black & Decker pour faire réparer ou échanger le produit, à notre discrétion. Une preuve d'achat peut être requise. Les centres de réparation de Black & Decker et les centres de réparation autorisés sont répertoriés dans les pages jaunes sous la rubrique « Outils électriques » du bottin téléphonique et sur notre site Web [www.blackanddecker.com](http://www.blackanddecker.com).

Cette garantie ne s'applique pas aux accessoires. Cette garantie vous accorde des droits légaux spécifiques et vous pourriez avoir d'autres droits qui varient d'un État ou d'une province à l'autre. Pour toute question, communiquer avec le directeur du centre de réparation Black & Decker le plus près de chez vous. Ce produit n'est pas destiné à un usage commercial.

**Remplacement gratuit des étiquettes d'avertissement** : Si les étiquettes d'avertissement deviennent illisibles ou sont manquantes, composer le **1-800-544-6986** pour faire remplacer gratuitement vos étiquettes.